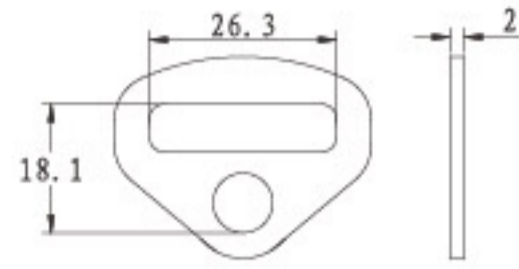




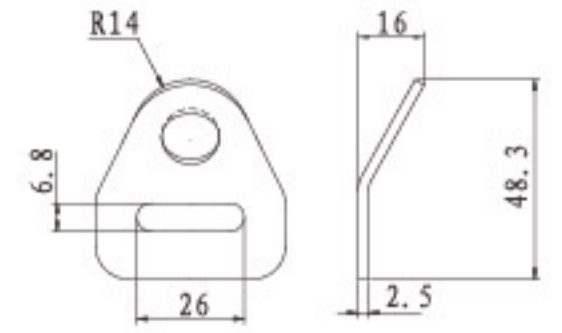
E-TRACK SYSTEMS & ATTACHMENT

QL028



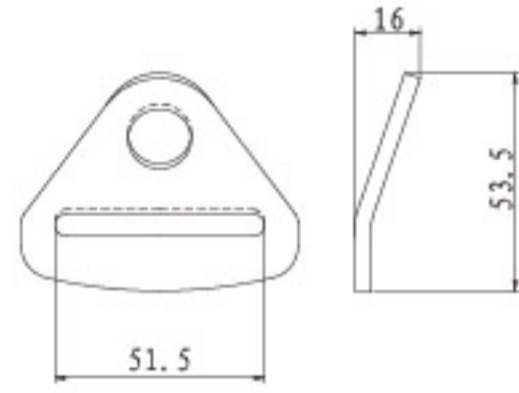
◆ Width: 25mm
B/S: 1000KG
1000PCS/CTN,G.W/N.W:9KG/8KG

QL013



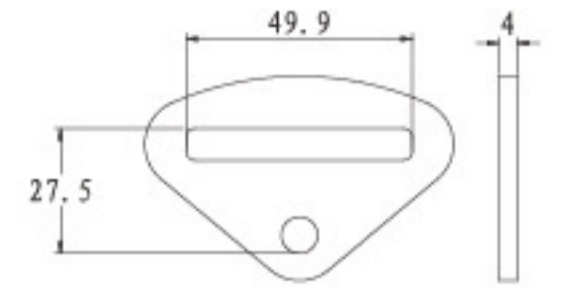
◆ Width: 25mm
B/S: 1100KG
500PCS/CTN,G.W/N.W:16KG/15KG

QL023



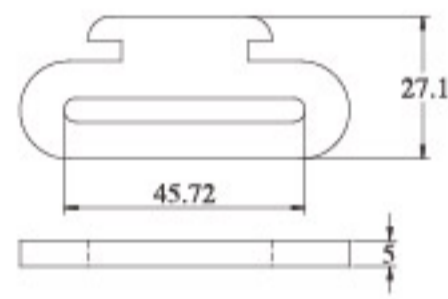
◆ Width: 50mm
B/S: 2200KG
300PCS/CTN,G.W/N.W:20.5KG/19.5KG

QL024



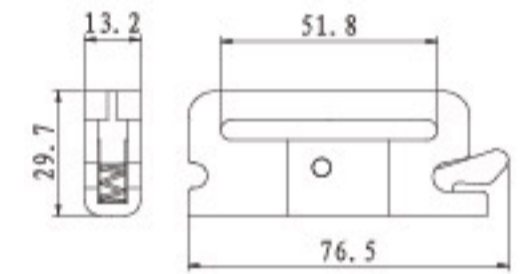
◆ Width: 50mm
B/S: 3000KG
300PCS/CTN,G.W/N.W:16KG/15KG

QL019



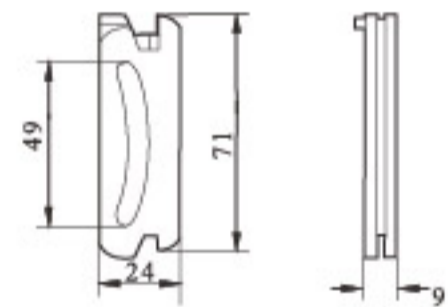
◆ Width: 45mm
B/S: 800KG
400PCS/CTN,G.W/N.W:17KG/16KG

QLF1017



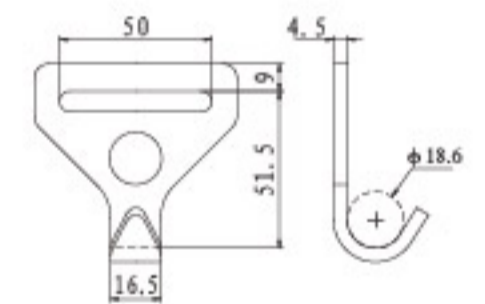
◆ Series E/A spring fitting
B/S: 2000KG
300PCS/CTN,G.W/N.W:29KG/28KG

QL1010



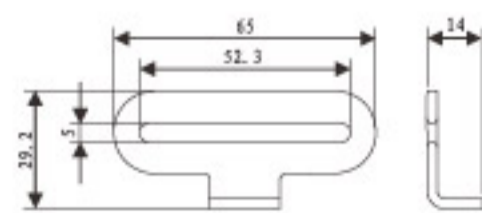
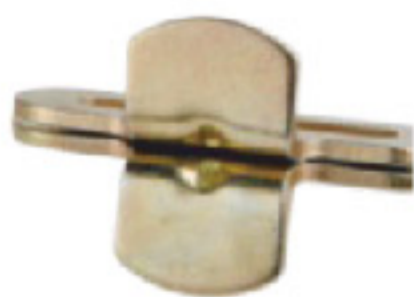
◆ Series E/A 3-piece fitting
B/S: 1350KG
300PCS/CTN,G.W/N.W:16KG/15KG

QL092



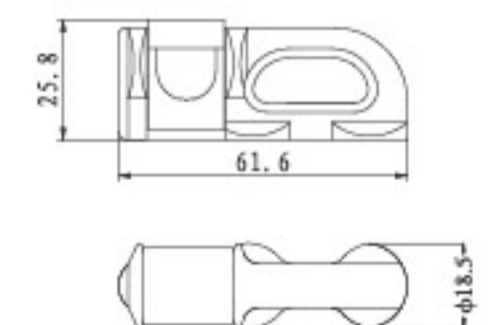
◆ Series F track hook
B/S: 1000KG
200PCS/CTN,G.W/N.W:17KG/16KG

QL018A



◆ Series F butterfly track fitting
B/S: 900KG
800PCS/CTN,G.W/N.W:25KG/24KG

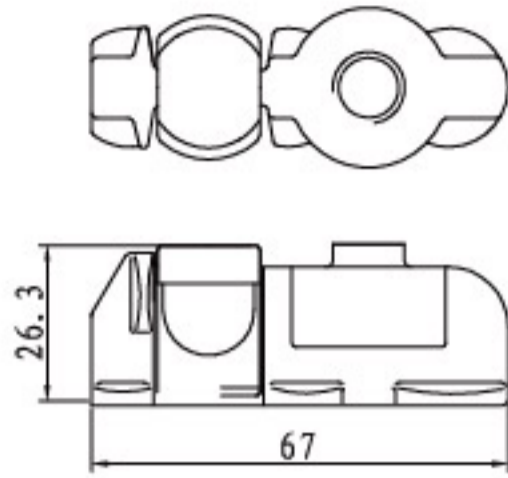
QL01



◆ Double stud fitting
B/S: 2700KG
250PCS/CTN,G.W/N.W:23.5KG/22.5KG

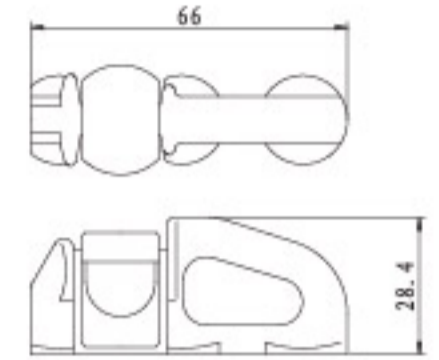
TRACK FITTINGS

QL02



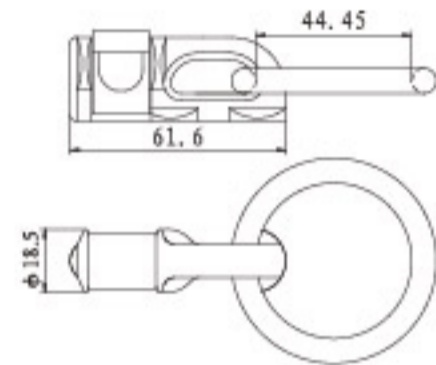
◆ B/S: 3000KG
200PCS/CTN,G.W/N.W:31KG/20KG

QL03



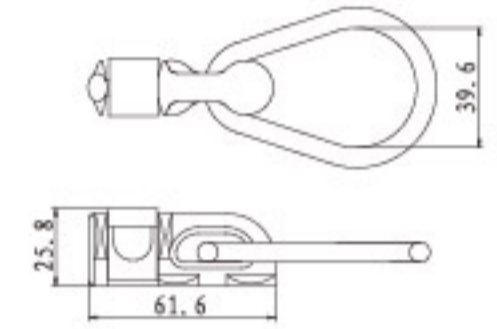
◆ Double stud fitting
B/S: 2700KG
220PCS/CTN,G.W/N.W:28.5KG/27.5KG

QL01-0



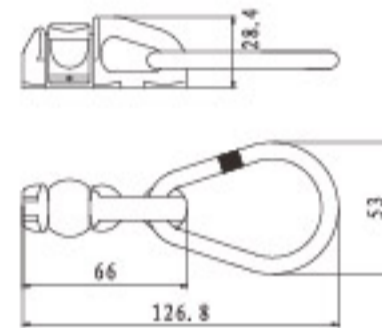
◆ Double stud fitting W/O ring
B/S: 2700KG
200PCS/CTN,G.W/N.W:28KG/27KG

QL01-P



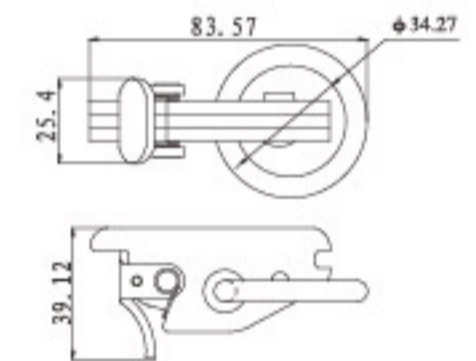
◆ Double stud fitting W/pear ring
B/S: 2700KG
200PCS/CTN,G.W/N.W:24.5KG/23.5KG

QL03-P



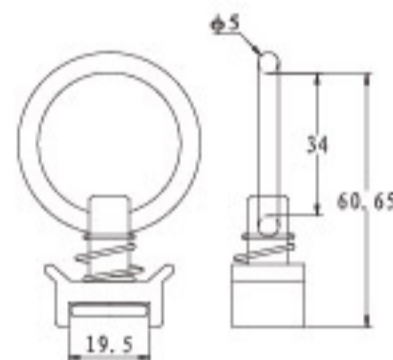
◆ Double stud fitting W/pear ring
B/S: 2700KG
150PCS/CTN,G.W/N.W:26.5KG/25.5KG

QL08



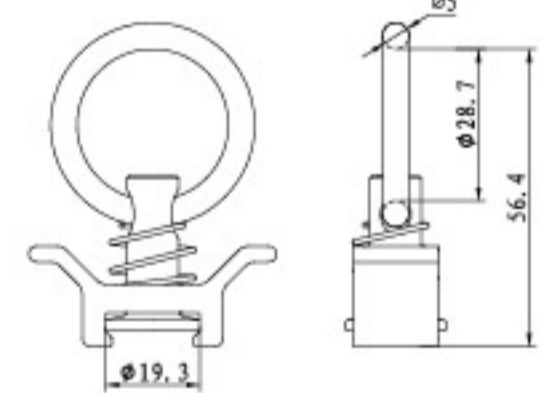
◆ Series E/A fitting W/O ring
B/S: 2700KG
100PCS/CTN,G.W/N.W:20KG/19KG

QL07



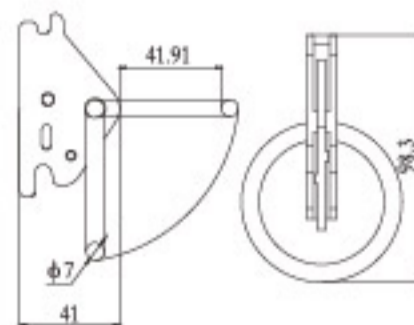
◆ Single stud fitting W/O ring
B/S: 1500KG
500PCS/CTN,G.W/N.W:24.5KG/23.5KG

QL07C



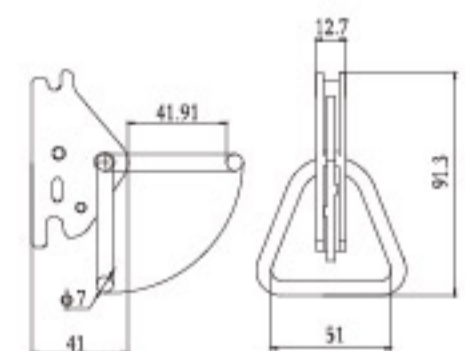
◆ Stud Fitting Single,
Aluminum With Round Ring.
200PCS/CTN,G.W/N.W:10KG/9KG

QL1018B



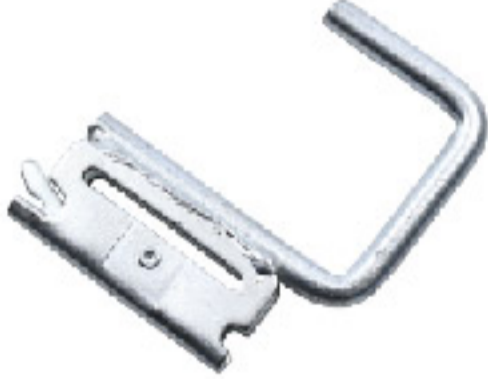















◆ Series E/A fitting W/O ring
B/S: 1850KG
100PCS/CTN,G.W/N.W:15.5KG/15KG

QL1018A



◆ Series E/A fitting W/Triangle ring
B/S: 1850KG
100PCS/CTN,G.W/N.W:15.5KG/15KG

<p>QLTF-001</p>  <p>◆ Tool holder for E track</p>	<p>QLTF-002</p>  <p>◆ Series E/A fitting W/O ring B/S: 900KG</p>	<p>QLTF-003</p>  <p>◆ E track J Hook Fitting</p>	<p>QLTF-004</p>  <p>◆ E track J Hook Fitting</p>
<p>QLTF-005</p>  <p>◆ E track J Hook Fitting</p>	<p>QLTF-006</p>  <p>◆ Series E/A spring fitting B/S: 2000KG</p>	<p>QLTF-007</p>  <p>◆ Series E/A spring fitting B/S: 2000KG</p>	<p>QLTF-008</p>  <p>◆ Series E/A spring fitting B/S: 2000KG</p>
<p>QLTF-009</p>  <p>◆ D ring</p>	<p>QLTF-010</p>  <p>◆ Bolt plate</p>	<p>QLTF-011</p>  <p>◆ Lashing strap slide buckle</p>	<p>QLTF-012</p>  <p>◆ Action spring buckle strap</p>
<p>QLTF-013</p>  <p>◆ E Track spare tire holder mount</p>	<p>QLTF-014</p>  <p>◆ Wood end socket for E track</p>	<p>QLTF-015</p>  <p>◆ Single stud fitting W/D ring</p>	<p>QLTF-016</p>  <p>◆ Single stud fitting W/O ring</p>



RECESSED PAN FITTING

QL08

◆ B/S: 700KG
150PCS/CTN,G.W/N.W:13.5KG/12.5KG

QL11

◆ B/S: 550KG
200PCS/CTN,G.W/N.W:27KG/26KG

QL10

◆ B/S: 2250KG
40PCS/CTN,G.W/N.W:21KG/20KG

QL06

◆ B/S: 2500KG
50PCS/CTN,G.W/N.W:33.5KG/32.5KG

QL01

◆ B/S: 6000KG
30PCS/CTN,G.W/N.W:25.5KG/24.5KG

QL05

◆ B/S: 2500KG
50PCS/CTN,G.W/N.W:29.5KG/28.5KG

QL03

◆ B/S: 6000KG
30PCS/CTN,G.W/N.W:23.5KG/22.5KG

QL09

◆ B/S: 2500KG
30PCS/CTN,G.W/N.W:28KG/27KG

QL36A

◆ Chrome Toggle Anchor Point,Bulk
8PCS/CTN,G.W/N.W:2.0KG/1.5KG

QL07

◆ B/S: 5000KG
50PCS/CTN,G.W/N.W:31KG/30KG

QLE100T

Steel Tube Series E Beam
Adjustable Range:91.5" to 102.5"

Decking/Vertical W.L.L.:1500lbs/680kgs
Shoring/Horizontal W.L.L.:1500lbs/680kgs
60pcs/pallet,G.W/N.W:960kgs/940kgs,26cuft



QLE100L

Aluminum Tube Series E Beam
Adjustable Range:85.5" to 96.5"

Decking/Vertical W.L.L.:2200lbs/1000kgs
Shoring/Horizontal W.L.L.:2200lbs/1000kgs
10 0pcs/pallet,G.W/N.W:830kgs/790kgs,42cuft



QLE100LH

Heavy Duty Aluminum Tube Series E Beam
Adjustable Range:83.7" to 94.7"

Decking/Vertical W.L.L.:3000lbs/1360kgs
Shoring/Horizontal W.L.L.:2500lbs/1130kgs
100pcs/pallet,G.W/N.W:1200kgs/1160kgs,42cuft



Item No.	Steel Plate Thickness,mm	Length mm	Q'ty pcs/ctn	G.W kgs	N.W kgs	Volume cuft
SYE-1	3	314.5	14	25.5	24.5	0.73
SYE-2	3.5	314.5	14	27	26	0.73
SYE-3	4	314.5	14	29	28	0.73
SYE-7	3	457.2	10	25.5	24.5	0.73

E BEAM END



SYE-G



◆ Locking Beam End
10pcs/ctn,G.W/N.W:27.5kgs/26.5kgs, 0.7cuft

SYE-PIN



◆ Attaching Pin
500pcs/ctn,G.W/N.W:30kgs/29kgs, 0.3cuft

SYE-CL



◆ Insert Tube
10pcs/ctn,G.W/N.W:16kg/15kg

SERIES F BARS

QLF100

Steel Round Series F Bar
 Adjustable Range:96" to 111"
 W.L.L:500lbs/227kgs, Tube Diameter:1.66"
 100pes/pallet, G.W/N.W:940kgs/920kgs, 14.5cuft



QLF101

Steel Square Series F Bar
 Adjustable Range:96" to 111"
 W.L.L:1000lbs/454kgs, Tube Diameter:2"
 80pes/pallet, G.W/N.W:1020kgs/1000kgs, 17.5cuft



QLF200D

F Track Shoring Bar W/handles 24mm Ends 2172mm-2631mm
 100pcs/pallet, G.W/N.W:685kg/675kg



WOOD BEAM SOCKET

Item No.	B/S lbs	A (mm)	B (mm)	C (mm)	D (mm)	Q'ty pcs/ctn	G.W kgs	N.W kgs
SYS-1	1400	110	84.4	48.9	12	40	19	18
SYS-2	1400	110	84.4	48.9	12	40	18.5	17.5
SYS-3	1400	110	84.4	96.5	12	40	24	23



